



SK3"P

3" Pneumatic Emergency Bottom Valve

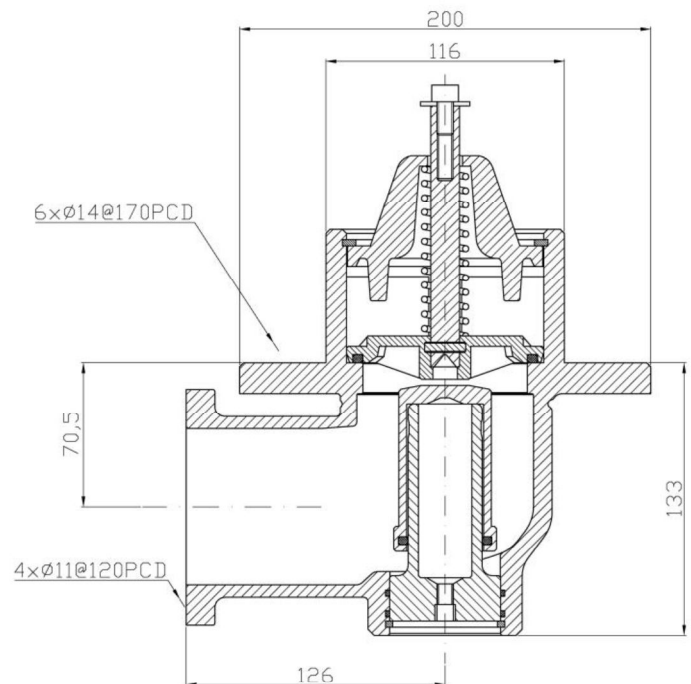
DESIGN CHARACTERISTICS

Ease of maintenance, simplicity of design and durability have helped to make this valve design the first choice of all tank truck manufacturers who require a tough, reliable, pneumatically operated valve in the 3" class.

- **High flow** low pressure drop design for increased discharge rates,
- **Robust construction** of the sell made of aluminium alloy tested for sell strength at 25bar.
- **Conforms** to the European Standard EN13308:2002 and EN16257:2012
- **Viton seals** are standard for problem free service with high octane unleaded petrol and additives.
- **Shear Groove** for increased safety.
- **Easily removable** bonnet assembly without removing the valve for easy maintenance.
- **Easy service**, air cylinder design allows replacement without removing the valve from the tank.



Overall Dimensions



TECHNICAL DATA

MWP : 500 kPa
Test Pressure : 775 kPa

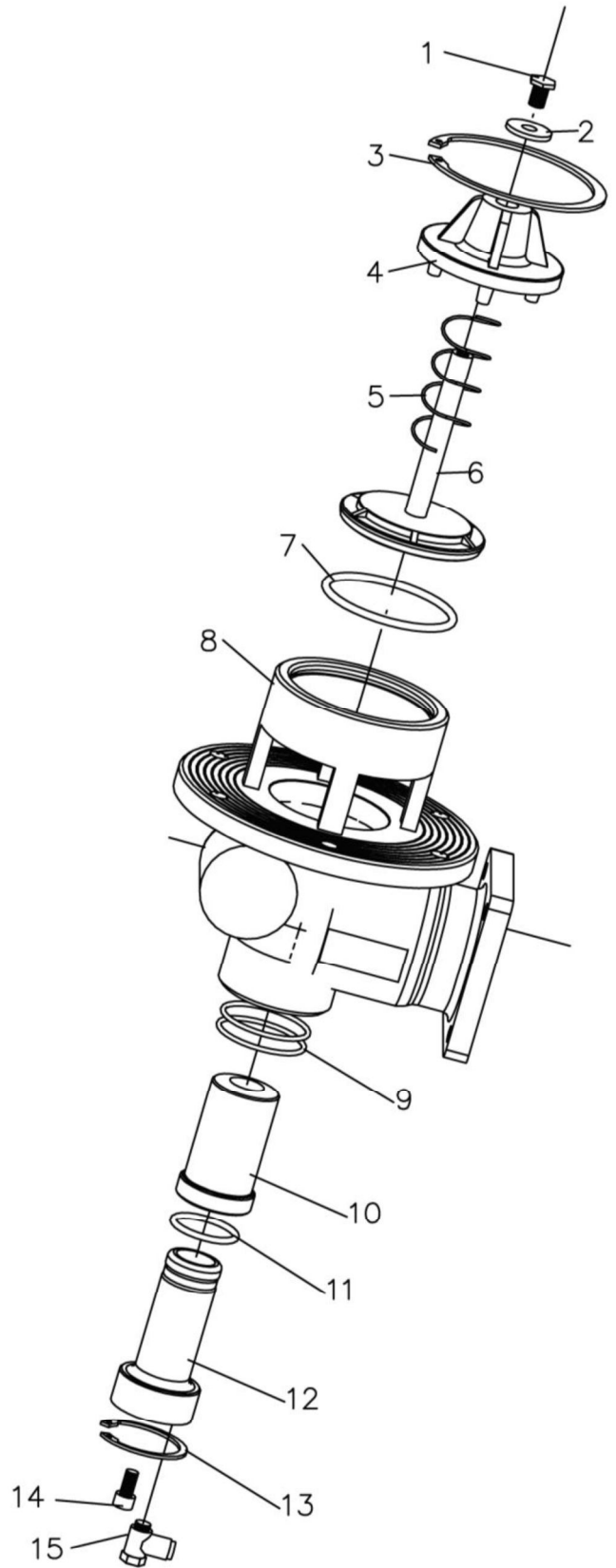
Valve Weight : 3.8 kg

SK3"P

3" Pneumatic Emergency Bottom Valve

Description and Part Numbers

Ref	Description	Part No.
01	Allen Bolt	SK 3" P - 1
02	Washer	SK 3" P - 2
03	Circlip	SK 3" P - 3
04	Spring Seating	SK 3" P - 4
05	Spring	SK 3" P - 5
06	Poppet	SK 3" P - 6
07	O-ring	SK 3" P - 7
08	Valve Shell	SK 3" P - 8
09	O-ring	SK 3" P - 9
10	Air Cylinder	SK 3" P - 10
11	O-ring	SK 3" P - 11
12	Air Piston	SK 3" P - 12
13	Circlip	SK 3" P - 13
14	Allen Bolt	SK 3" P - 14
15	6mm Fixed elbow	SK 3" P - 15



Due to continuous efforts for product development the Firm reserves the right to alter the specification of its products without prior notice.



KALYMNOS
Fuel Engineering

T: +30 2310 755 418
F: +30 2310 755 982
12, Ath. Diakou Str.
P.O. Box: 1099
570 09 Kalohori, Thessaloniki
Greece

www.kalymnos-fuel.com
office@kalymnos-fuel.com