



SK4500A1

Ø 500mm ADR Aluminum Manhole Cover Assembly

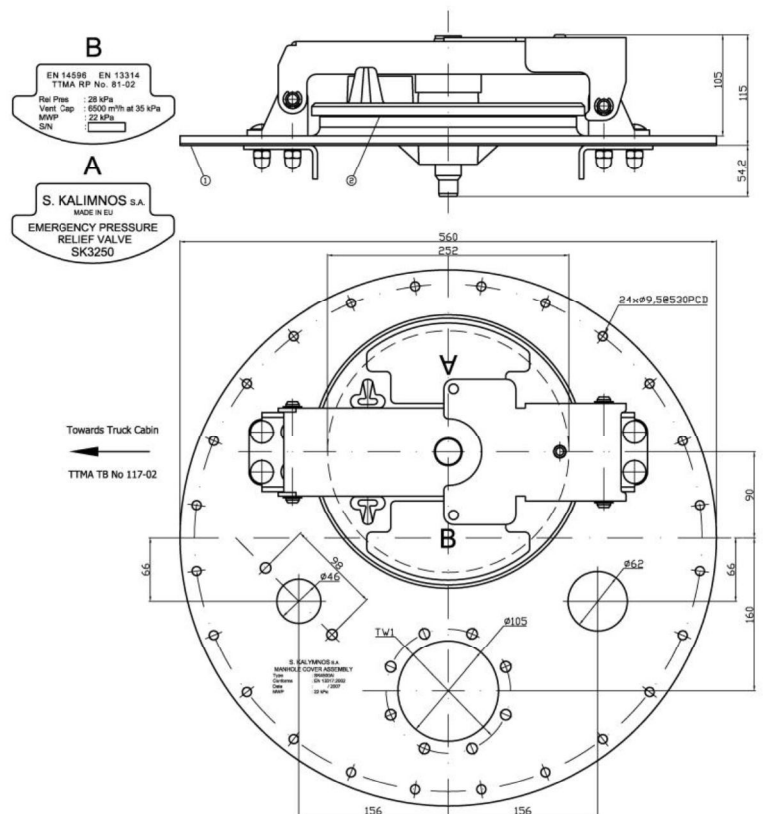
DESIGN CHARACTERISTICS

Based on the experience of KALYMNOS in producing liquid fuel transport equipment, the SK4500A1 manhole cover, covers the demands of the ADR regulations and offers unrivalled safety and operational features.

- **Robust Construction** of the assembly exceeds the requirements of the EN DROP TEST (EN 13317:2002).
- **24 Bold Fixing** Ø 9.5mm on Ø530 PCD covers the demands of EN13317:2002/A1.
- **Pressure/Vacuum breather vent** with integrated rollover protection against spillage.
- **Emergency pressure relief valve** to eliminate the excess pressure in the tank compartment in case of fire. Designed and tested in accordance to EN14596:2005 and EN13314:2002. Relieving pressure set at 280 mbar and emergency venting capacity of 6500m³/h, of air at 350 mbar.
- **Two stages opening** eliminates danger due to residual compartment pressure before fully opening of the fill cover.
- **Cross Arm Reinforcements** under the baseplate increase the rigidity of the assembly.
- **Integrated Locking** mechanism eliminates the danger of accidental opening meets the requirements of the NTTC DOT 406 (49CFR 178.345-5).
- **Accessory Ports** for the installation of Dipstick, Vapour Recovery Vent and Overfill Sensor.



Overall Dimensions



TECHNICAL DATA

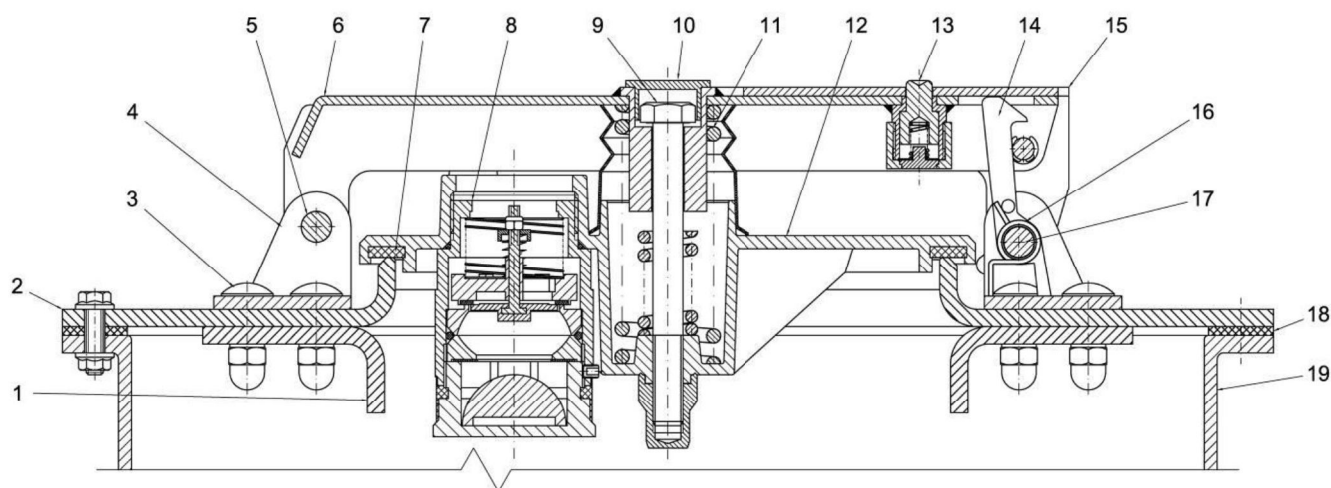
P/V vent set pressure : 100 mbar
P/V vent vacuum set : 10 mbar
Manhole assembly weight : 13.5 kg

Emergency pressure set : 280 mbar
Emergency venting capacity : 6500m³/h at 350 mbar

SK4500AL

Ø 500mm ADR Aluminum Manhole Cover Assembly

Description and Part Numbers



Ref	Description	Part No.	Qty
1	Reinforcement	SK4500-1-8	2
2	Base Plate Assembly	SK4500AL-1-1	1
3	Bolt & Nut	SK4500-1-4	8
4	Joint	SK4500-1-2	1
5	Cover Arm Pin	SK3250-7	1
6	Cover Arm	SK3250-8	1
7	Fill Cap Gasket	SK3250-6	1
8	P.V. Vent	SK2100	1
9	Fill Cap Bolt	SK3250-3	1
10	Weather Cap	SK3250-10	1
11	Emergency Pressure Relief Spring	SK3250-5	1
12	Emergency Pressure Relief Valve (EPRV)	SK3250-1	1
13	Locking Mechanism	SK3250-12	1
14	Latch	SK3250-16	1
15	Lever Arm	SK3250-13	1
16	Latch Spring	SK3250-18	1
17	Lever Arm Pin	SK3250-17	1
18	Gasket	SK3500-7	1
19	Neck Ring Ø 500 Al		1

Note: Variants illustrated are fitted with vents suitable for both bottom loading vapour recovery and top loading. Please consult S.KALYMNOS if alternative variants are required.

Due to continuous efforts for product development the Firm reserves the right to alter the specification of its products without prior notice.



KALYMNOS
Fuel Engineering

T: +30 2310 755 418
F: +30 2310 755 982
12, Ath. Diakou Str.
P.O. Box: 1099
570 09 Kalohori, Thessaloniki
Greece

www.kalymnos-fuel.com
office@kalymnos-fuel.com